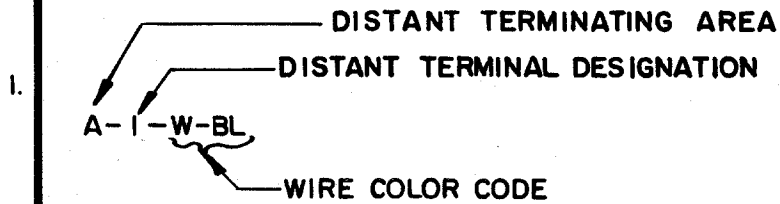


NO

NOTES

WIRING LEGEND:



COLOR CODE

BK-BLACK	W-BK-WHITE-BLACK
BR-BROWN	W-BR-WHITE-BROWN
R-RED	W-R-WHITE-RED
O-ORANGE	W-O-WHITE-ORANGE
Y-YELLOW	W-Y-WHITE-YELLOW
G-GREEN	W-G-WHITE-GREEN
BL-BLUE	W-BL-WHITE-BLUE
P-PURPLE	W-P-WHITE-PURPLE
W-WHITE	W-S-WHITE-SLATE
S-SLATE	

3. UNIT WIRED FOR 115 VOLTS. 50 TO 60 CYCLE A.C. POWER INPUT ONLY.

4. PLUGS VIEWED FROM SOLDER TERMINAL ENDS

CIRCUITS SHOWN FOR .060 AMP. NEUTRAL SIGNAL LINE OPERATION. FOR .020 AMP. OPERATION REMOVE AND ADD CONNECTIONS AS FOLLOWS:

SIGNAL LINE CURRENT	CONNECTIONS REMOVED	CONN. ADDED
.020 AMP.	A1-A4, A2-A3	A1-A2*

\* PLACE TWO STRAPS IN PARALLEL

6. THE SPARE LEADS FROM THE KEYBOARD (OR REC. ONLY BASE) AND TYPING UNIT CONNECTOR PLUGS ARE TERMINATED IN THE RIGHT AND LEFT ENDS OF THE ELECTRICAL SERVICE UNIT RESPECTIVELY.

7. REMOVE THIS STRAP WHEN ASSOCIATED KEYBOARD OR REC-ONLY BASE IS EQUIPPED WITH AN ELECTRICAL BREAK SWITCH.

SELECTOR MAG

C-22-BK

C-21-R

C-7-Y

C-8-G

C-20-O

R-4-O

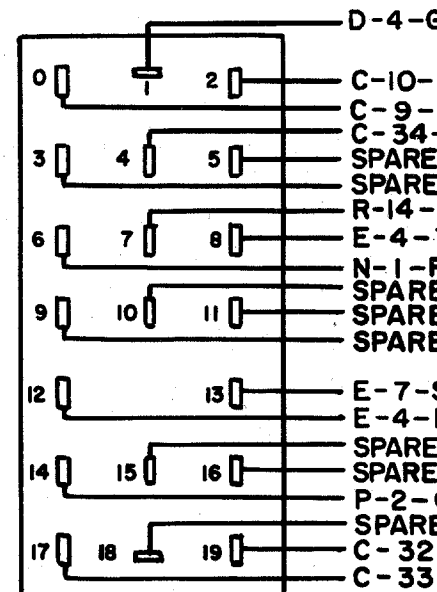
R-3-BR

R-1-Y

R-O-S

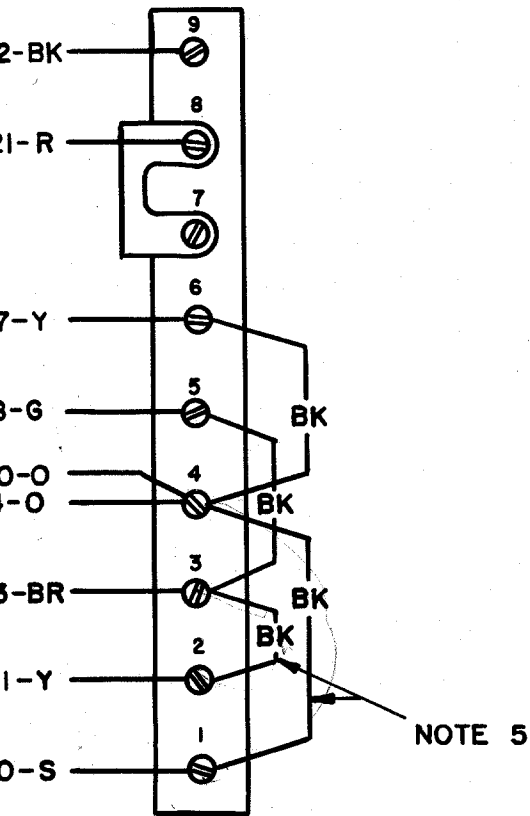
F

KEYBOARD FOR RECEIVING ONLY BASE CONNECTOR PLUG



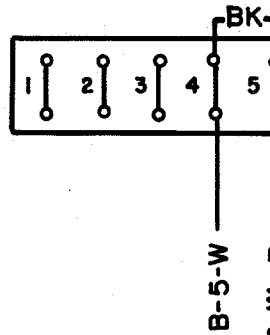
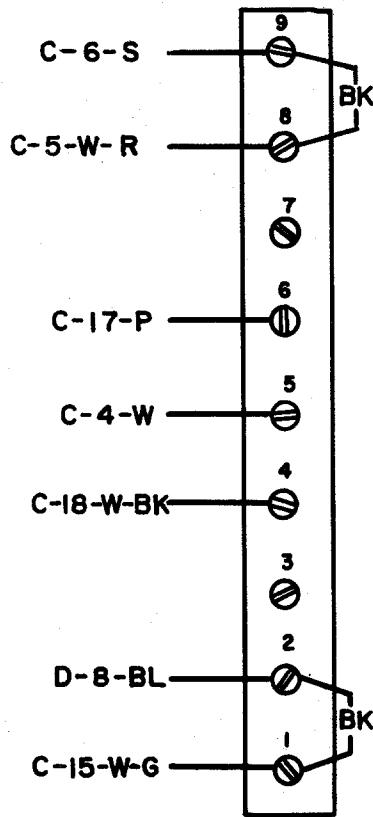
# A

## R MAGNET TERMINAL BLOCK



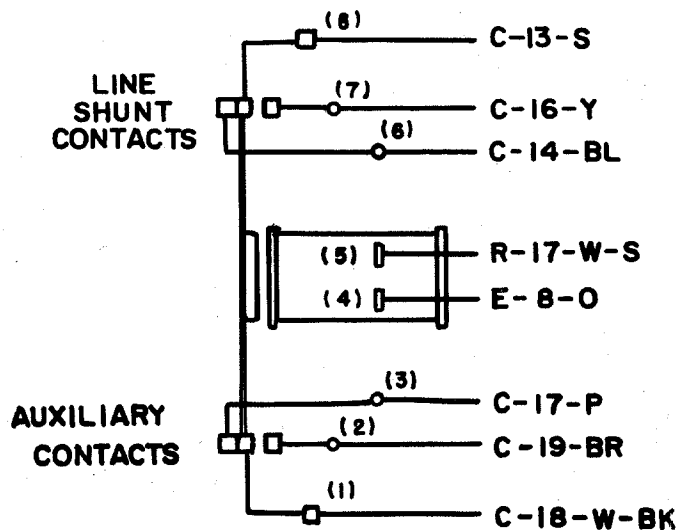
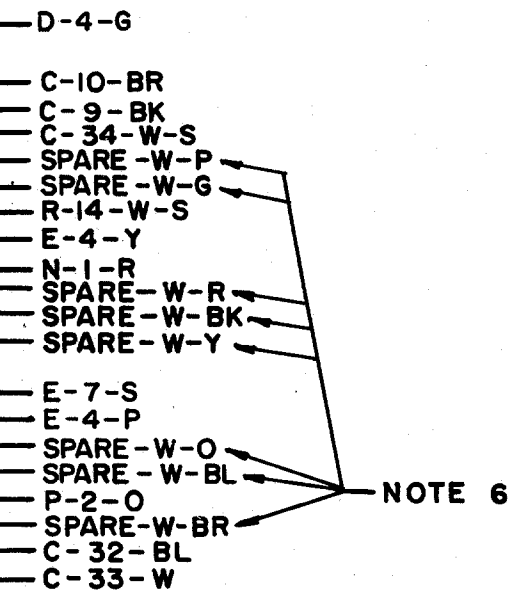
# B

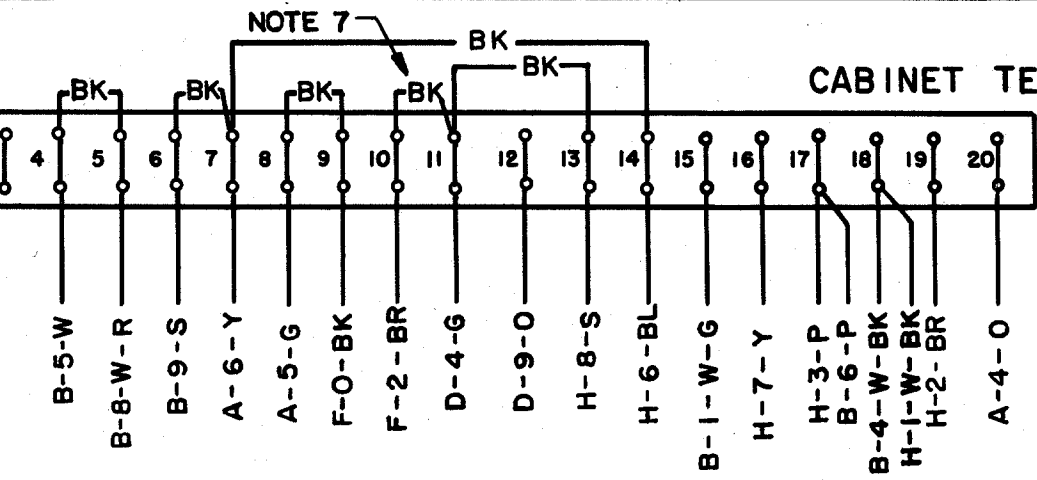
## LINE TEST KEY TERMINAL BLOCK



# H

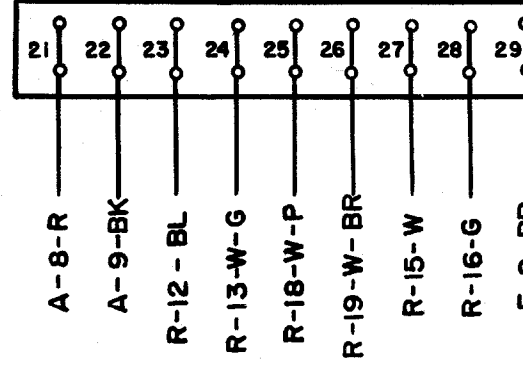
## LINE SHUNT RELAY

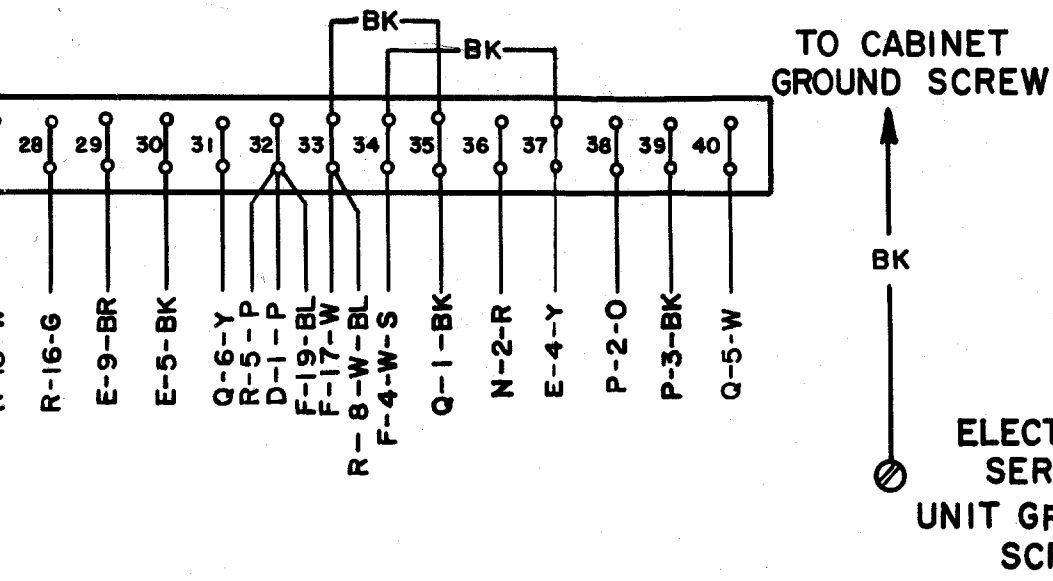




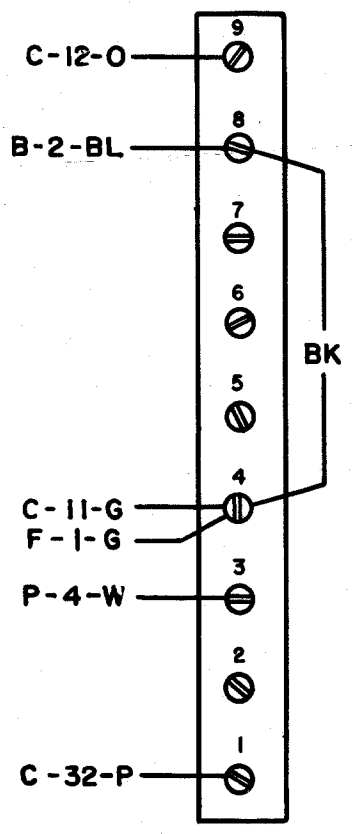
C

CABINET TERMINAL BLOCKS

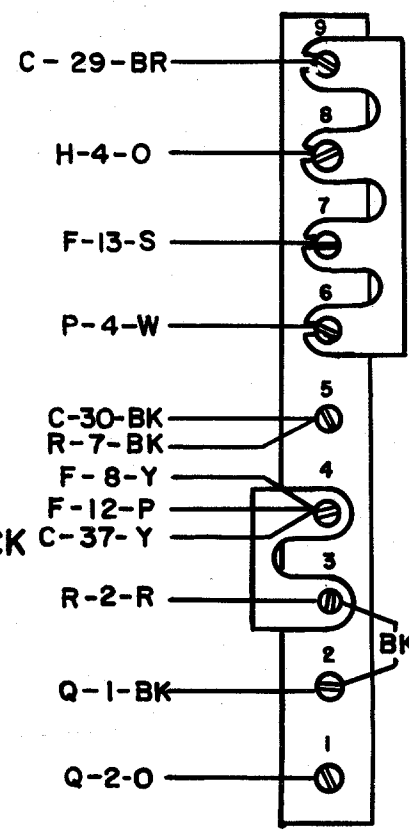




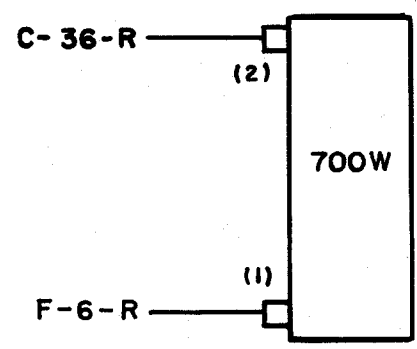
**D**  
MOTOR CONTROL TERMINAL BLOCK



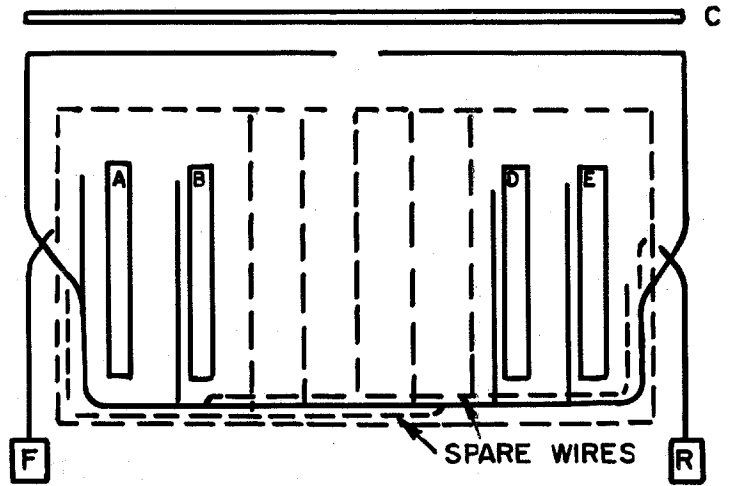
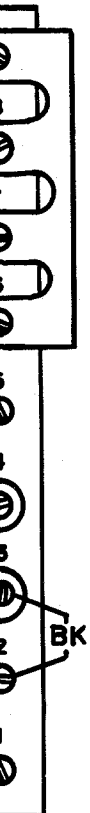
**E**  
POWER TERMINAL



**N**  
MARGIN  
INDICATOR  
LAMP  
RESISTOR

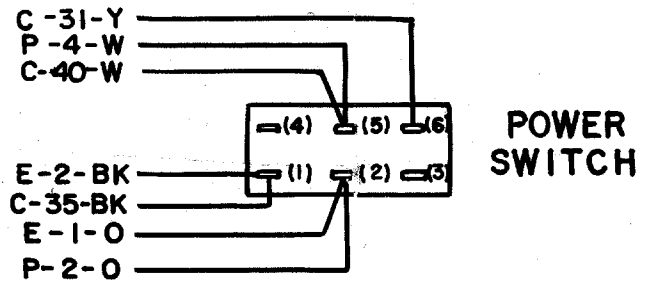


TERMINAL BLOCK



CABLE ROUTING  
(BOTTOM VIEW)

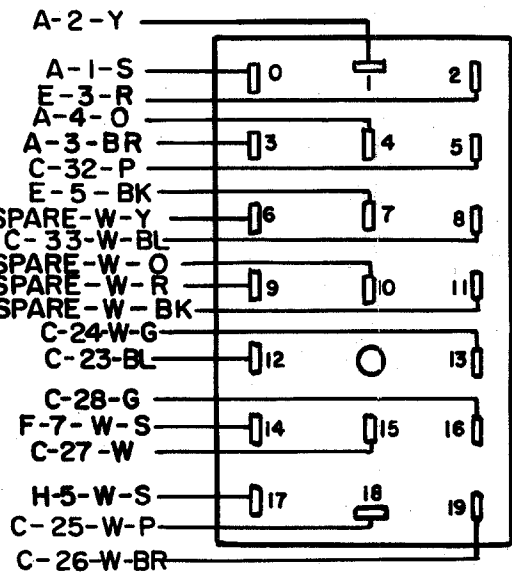
Q



POWER SWITCH

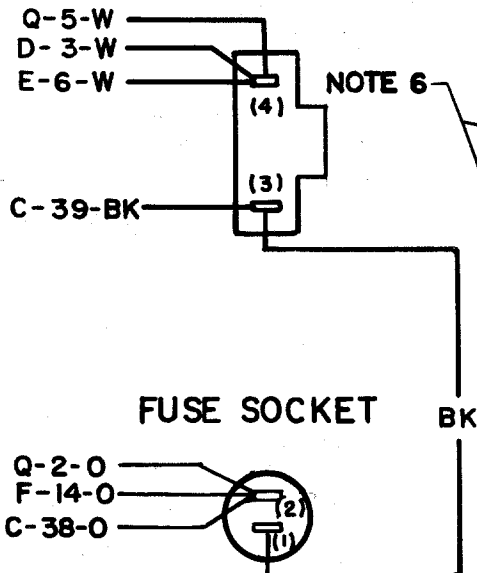
R

TYPING UNIT CONNECTOR PLUG



P

CONVENIENCE RECEPTACLE



NOTE 6

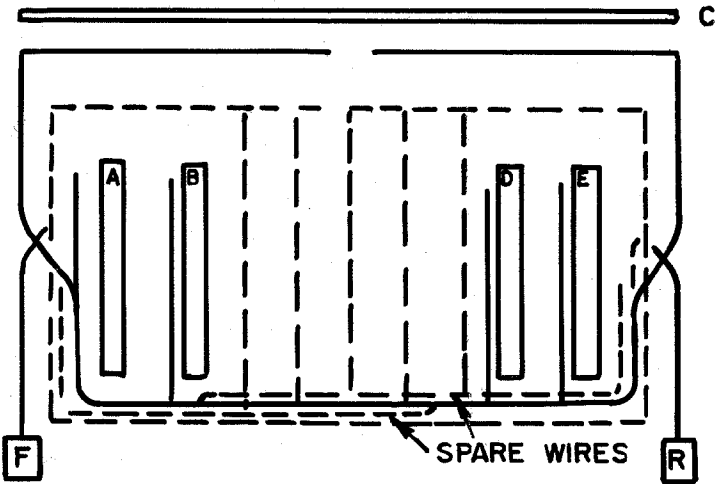
FUSE SOCKET

FOR SCHEM

# 2874WD

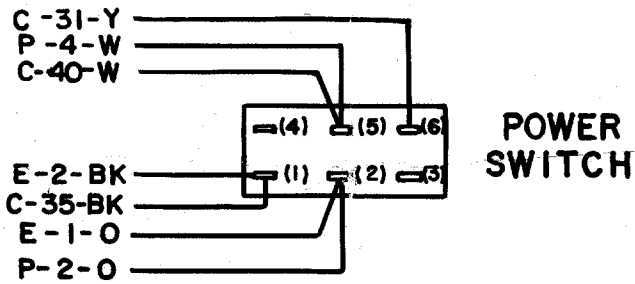
## REVISIONS

ISSUE	DATE	AUTHOR NO.
C	5-8-57	28-7615
D	3-28-62	69768-10
E	4-17-62	73132



**CABLE ROUTING  
(BOTTOM VIEW)**

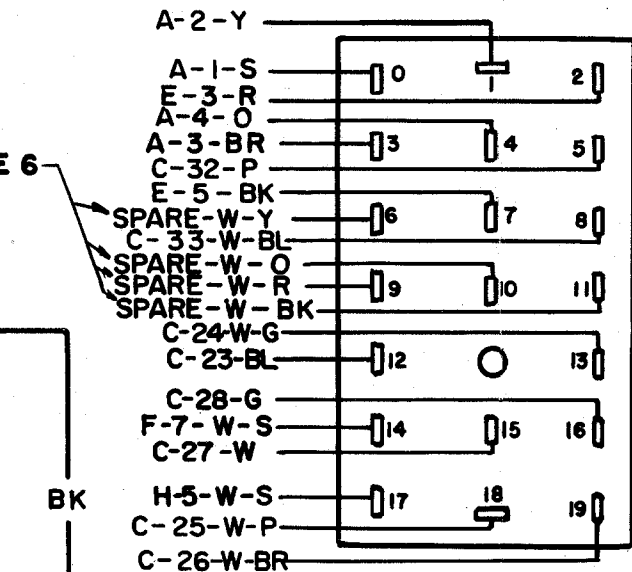
**Q**



**POWER  
SWITCH**

**R**

### TYPING UNIT CONNECTOR PLUG



**ACTUAL  
WIRING DIAGRAM  
MODEL 28  
ELECTRICAL  
SERVICE UNIT  
LESU 7/184**

### APPROVALS

D AND R      E OF M

DATE 2-20-54

P.D. FILE NO. 2-30.65156A

E-NUMBER

PROD. NO. 2874WD

DRAWN N.A.R. CHKD. *[Signature]*

ENG'D. G.A.O. APP'D. *[Signature]*

**TELETYPE  
CORPORATION**

# 2874WD

FOR SCHEMATIC SEE 2875WD